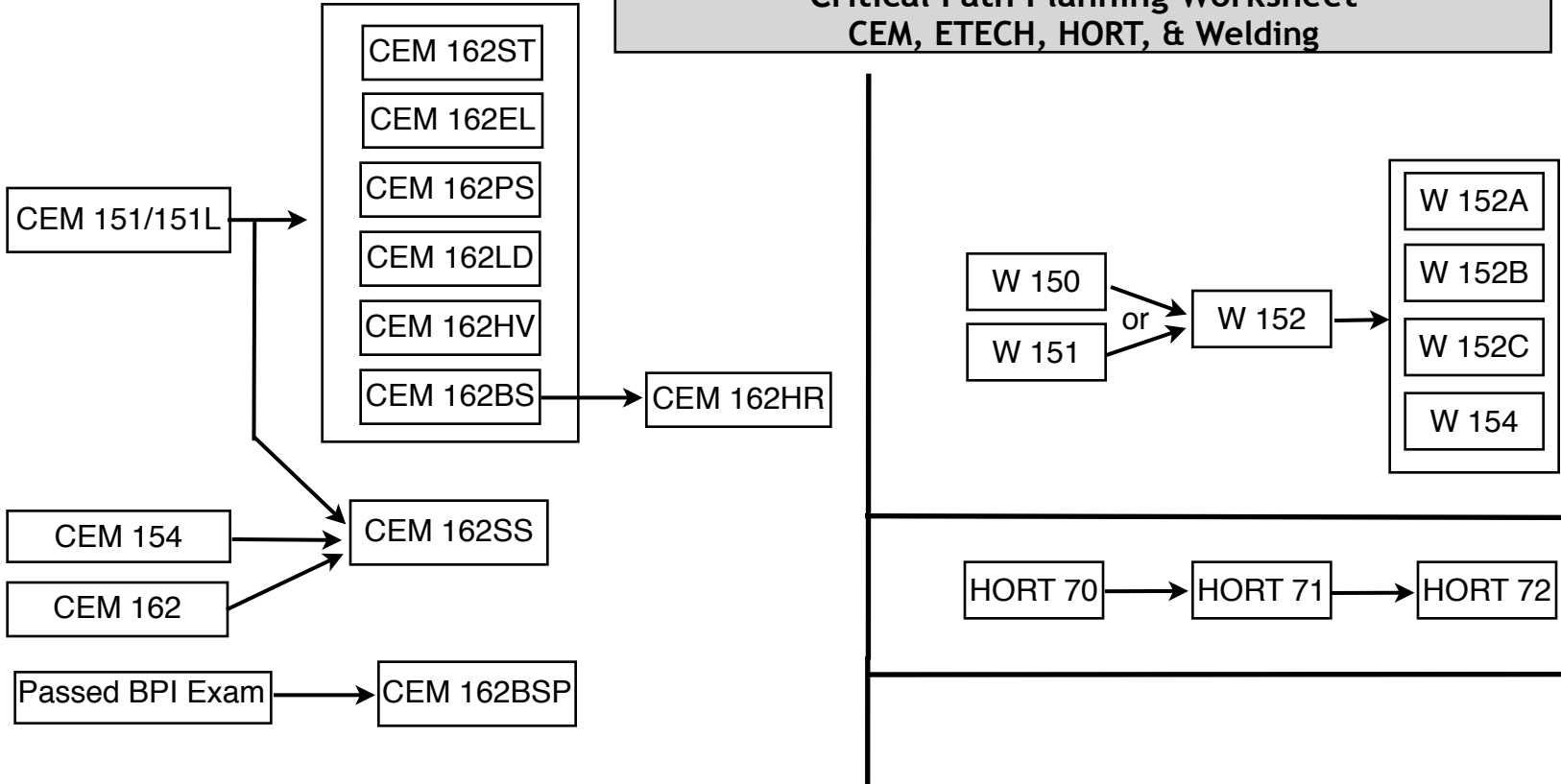


Critical Path Planning Worksheet
CEM, ETECH, HORT, & Welding



Prerequisite: —————>
 Recommended: ·······>

Notes:
 Courses offered every semester unless noted otherwise.

* Offered in summer

Rev: 11/8/13
 Information subject to change. See dept. chairs.

